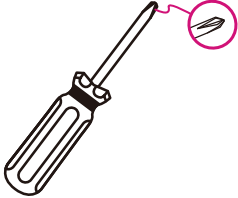


LEGENDS PINBALL 4KP SURROUND SOUND FEEDBACK (SSF) KIT

ATTENTION

This product was not designed for the average user. Instead, it was created for a more technical DIY (Do It Yourself) user. The expectation is that the user of this product is experienced in modding and is prepared for and aware of the risks in the handling of sensitive electronic components.

Tools/Parts Required (not included)



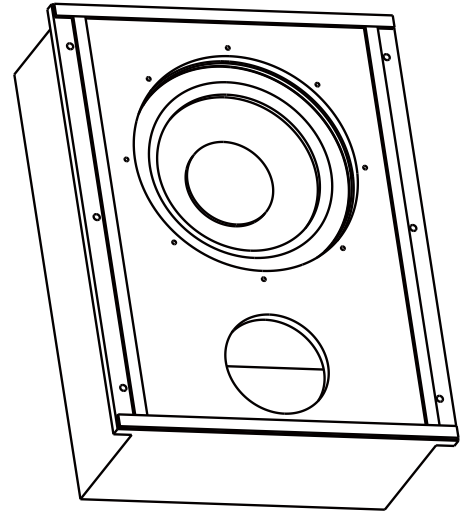
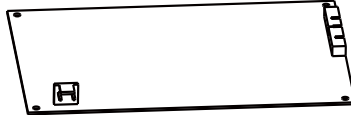
Phillips head screwdriver
(not included)

WARNING

Two adults required for safe assembly and installation. Make sure power cable is unplugged prior to installation.

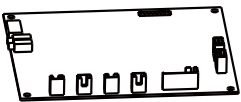
SSF Kit Component Parts List (included)

- Exciter speaker x 4
- Power supply board x 1
- Subwoofer box set

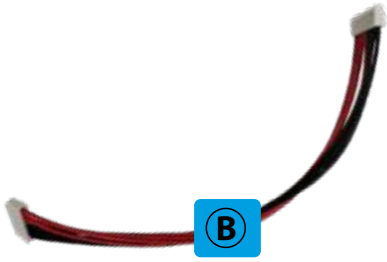


- Amplifier board x 1

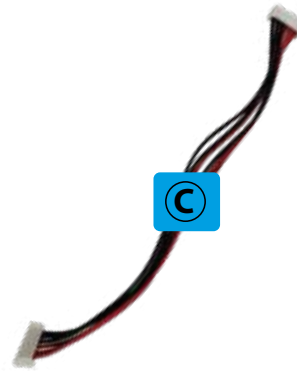
- Metal Shield Cover for Power supply board x 1



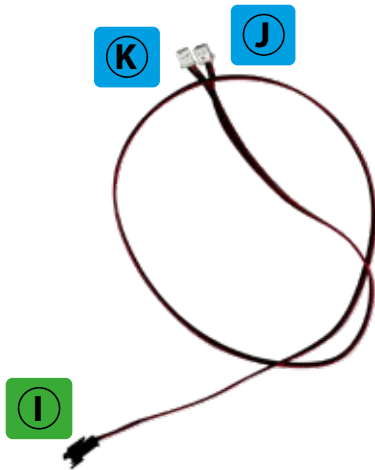
- 8 pin cable x 1



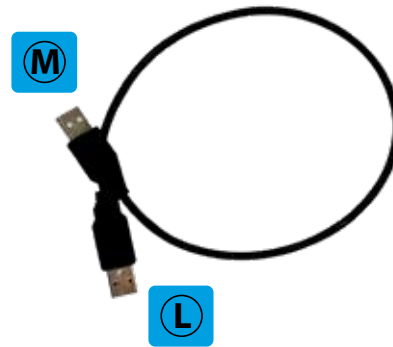
- Double plug for 6 pin and 8 pin cable x 1



- 4 pin speaker cable x 1



- USB data cable x 1

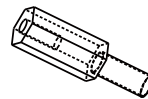


Screws (included)

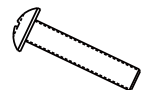
F1 For exciter speaker x 16



F2 For power supply board and amplifier board x 8



F3 For subwoofer box set x 6



F4 For power supply board and amplifier board x 8



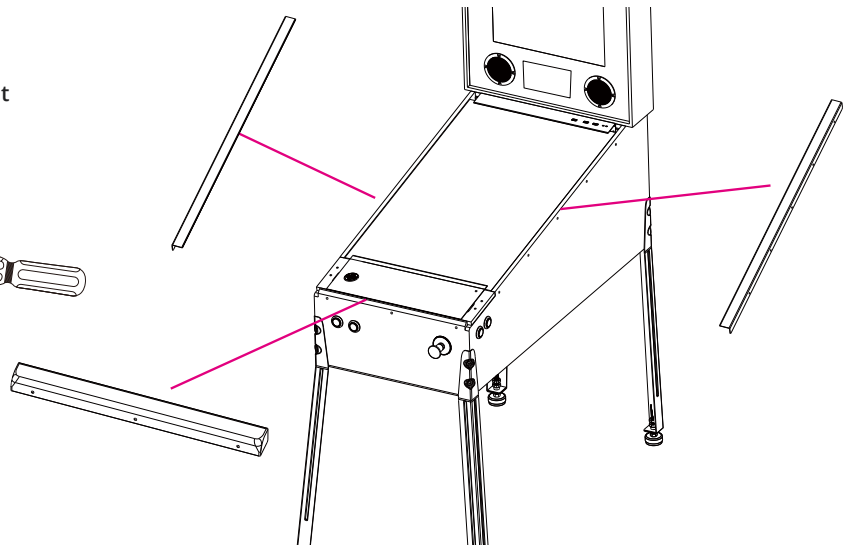
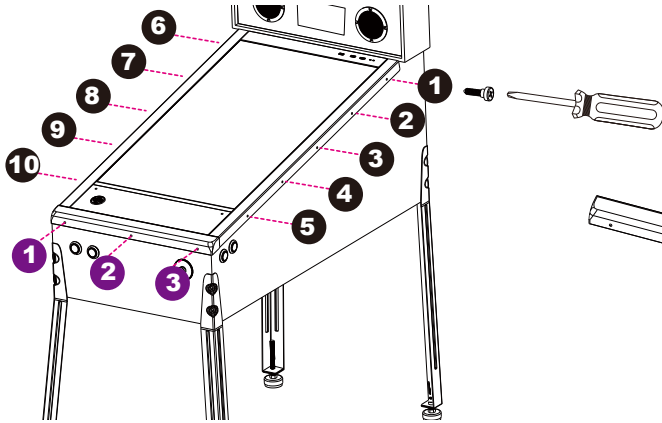
F5 For side rails and lockdown bar x 13



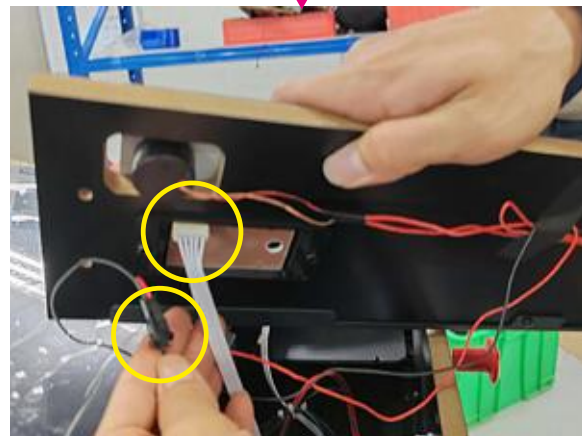
Step 1 Removing the 32 Inch Main Playfield

1-1 Use a Phillips head screwdriver to remove the 3 screws on the front lockdown bar. Remove all 10 screws on the side rails to the left and right of the main display. Put all screws and pieces aside.

■ 10 screws on the side panels ■ 3 screws on the front

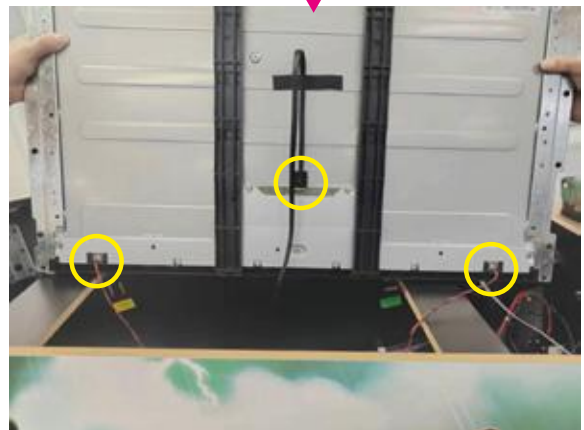


1-2 Remove the 4 screws from the control panel, then tilt the control panel and disconnect the cables. You can now safely lift it off from the machine.



1-3 Remove 4 display screws, remove the protection glass first, then remove the 32" display. Pull the screen towards the front of the device. When the screen pops out of place, tilt it sideways and remove the screen and backlight cables.

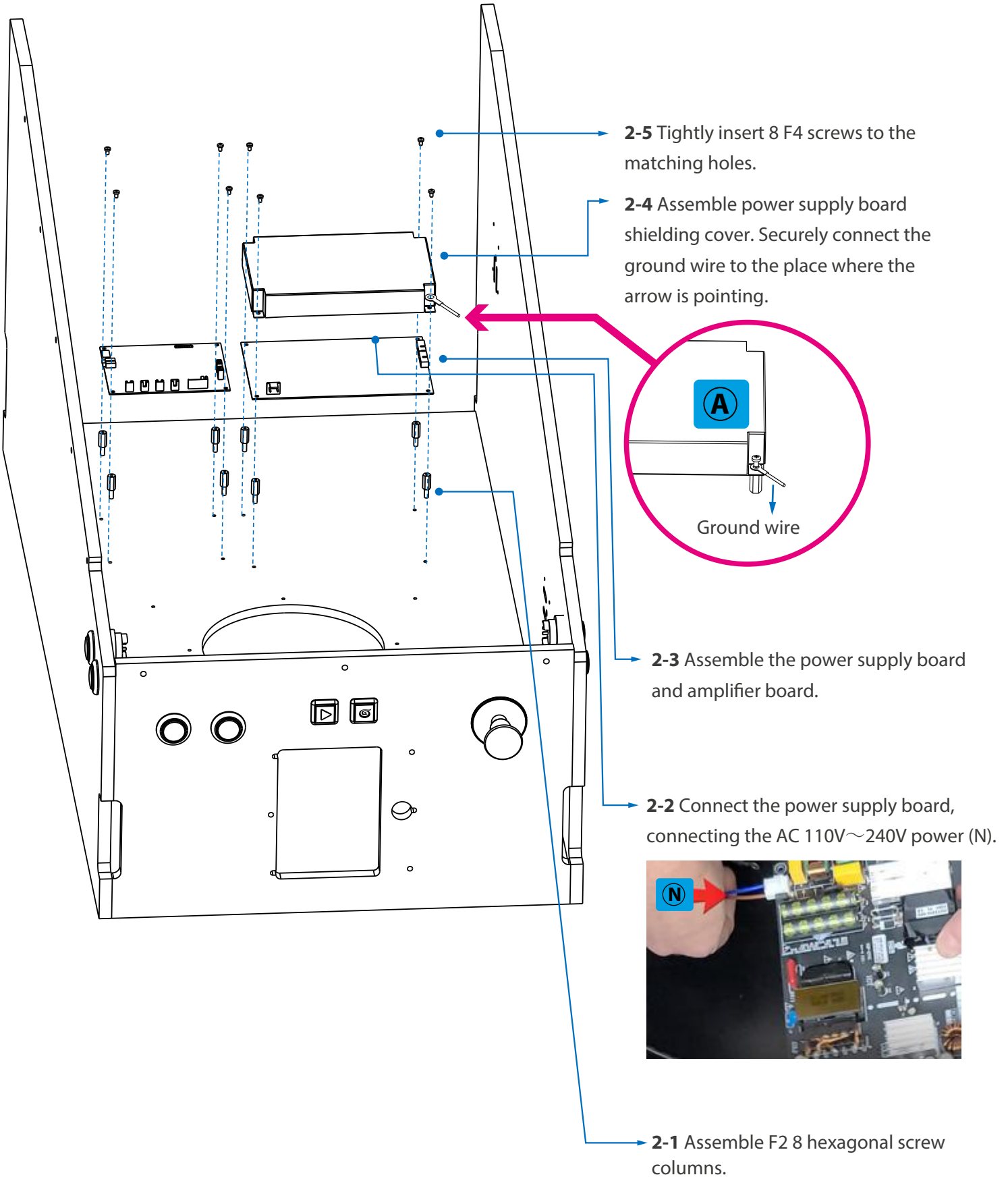
⚠ WARNING 32 Inch Main Playfield weight: 10.03 lbs.



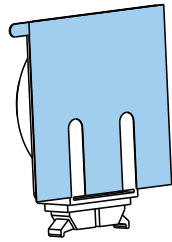
Note: Please do not put the screws away, they will be needed later during assembly. The types of screws should not be mixed. Please note which screw you have taken from where.

Step 2 Assemble the Power Supply Board and Amplifier Board

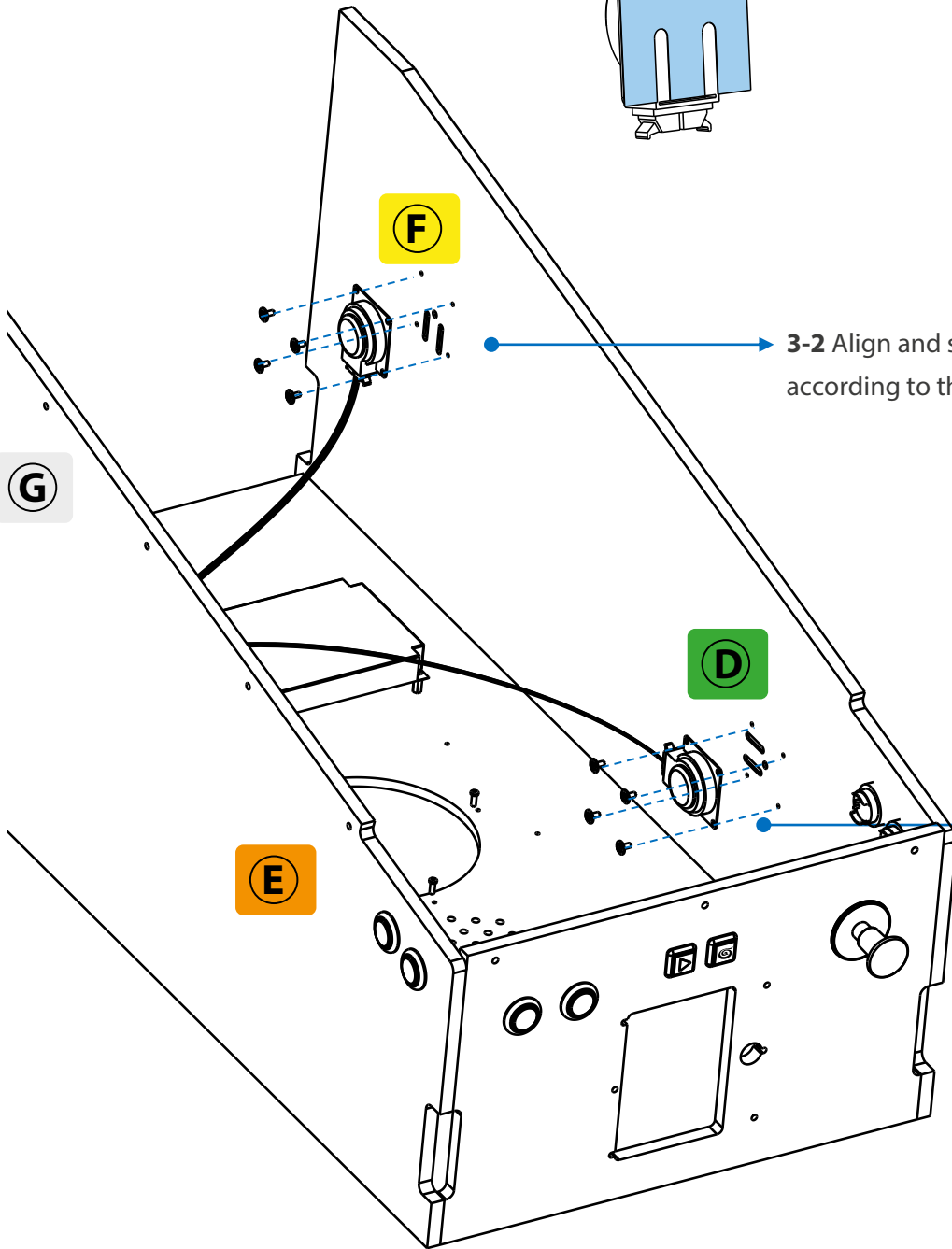
Attention : Please follow steps in correct order.



Step 3 Assemble the Exciter Speaker

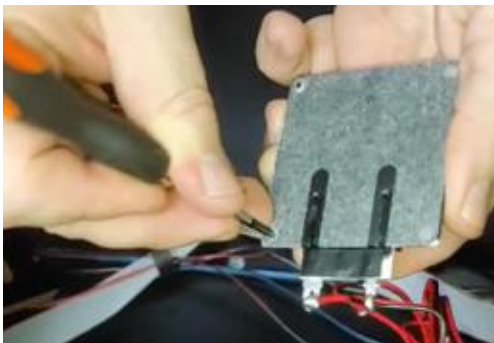


3-1 Peel off the liner of the double-sided tape.



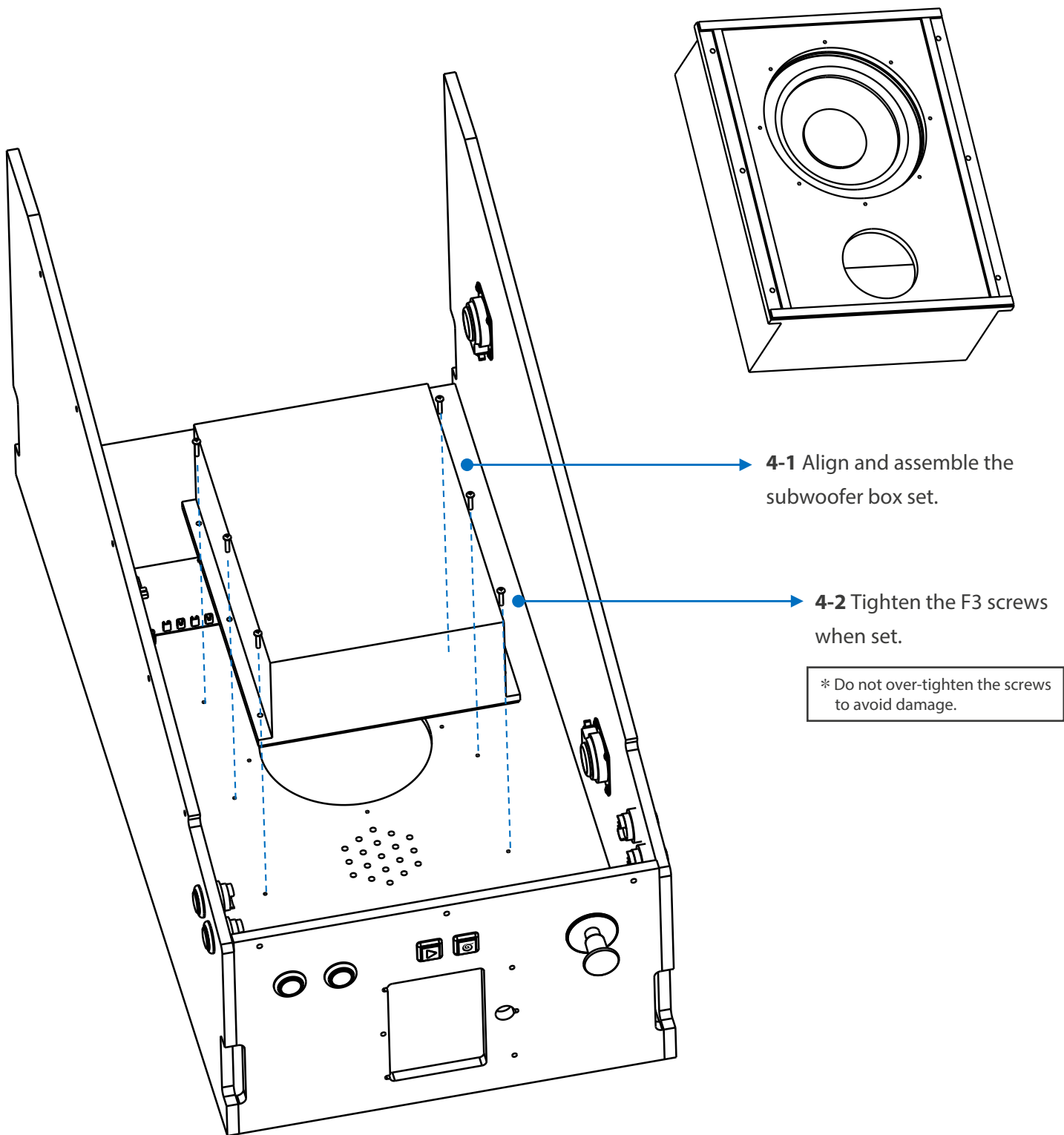
3-2 Align and stick the exciter speakers according to the indicated position.

3-3 Tighten the F1 screws when set.



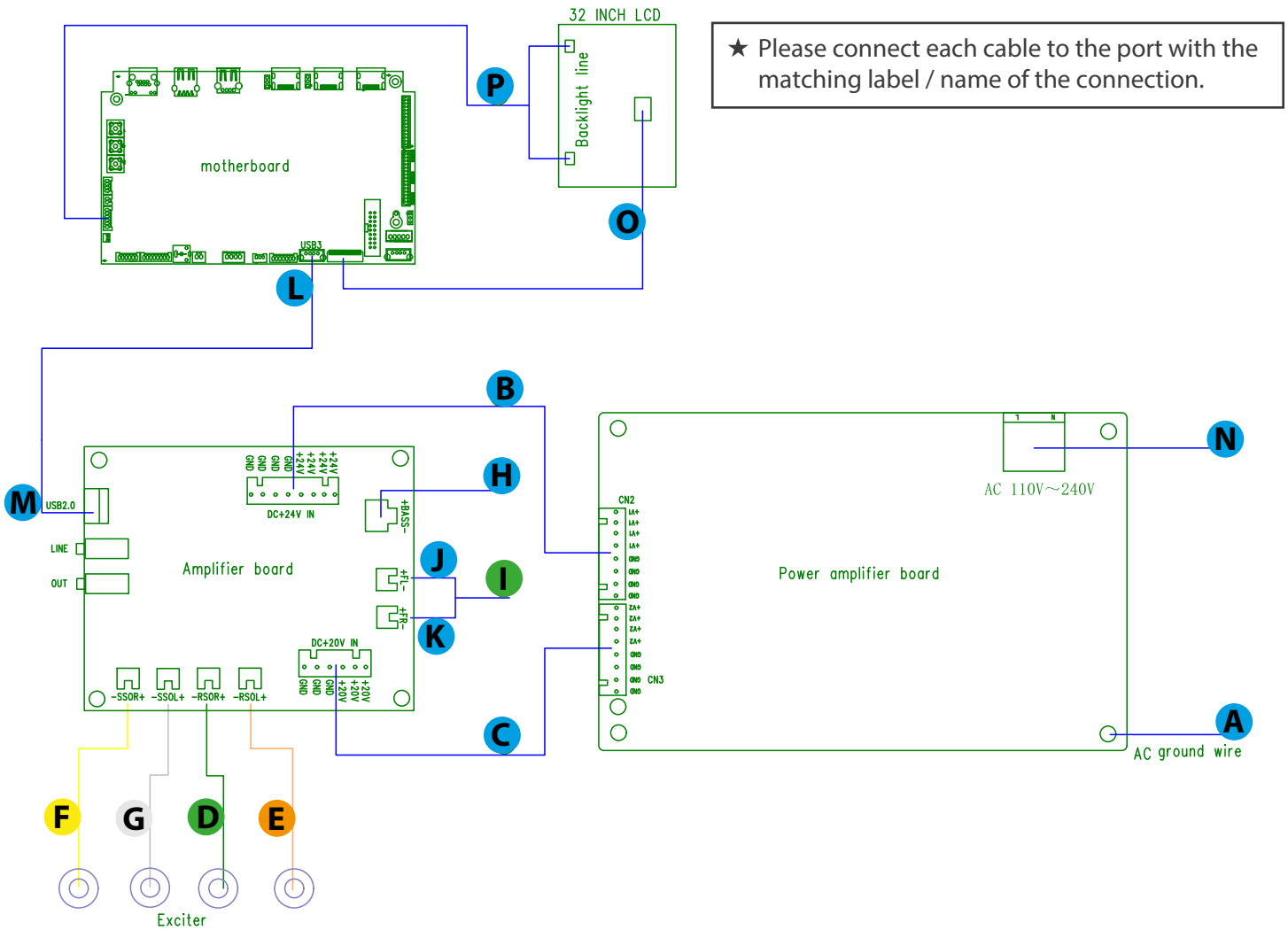
Note: If you can not align the exciter speaker in the correct position, you can punch holes in the double-sided tape first to make it easy to mount the exciter speaker.

Step 4 Assemble the Subwoofer Box Set



Step 5 Boards And Steps For Connecting Wires

Assembly wiring steps: Please ensure that the machine is powered off and unplugged. Remove the protective bag from the wires and then proceed with the following connection steps. Starting from the cable marked with the letter A and continuing sequentially to the cable marked with the letter P, connect each cable to the port with the matching label / name of the connection.



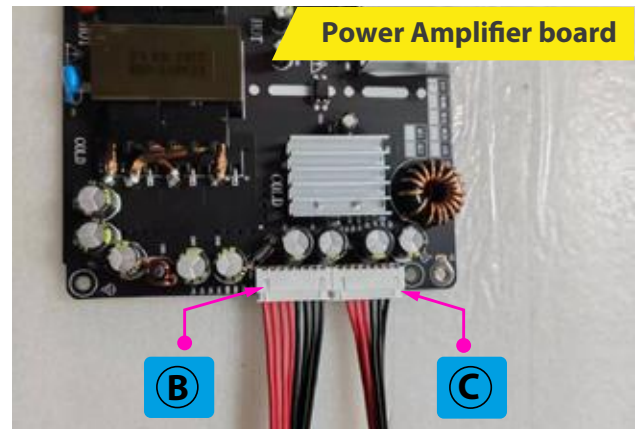
★ Please connect each cable to the port with the matching label / name of the connection.

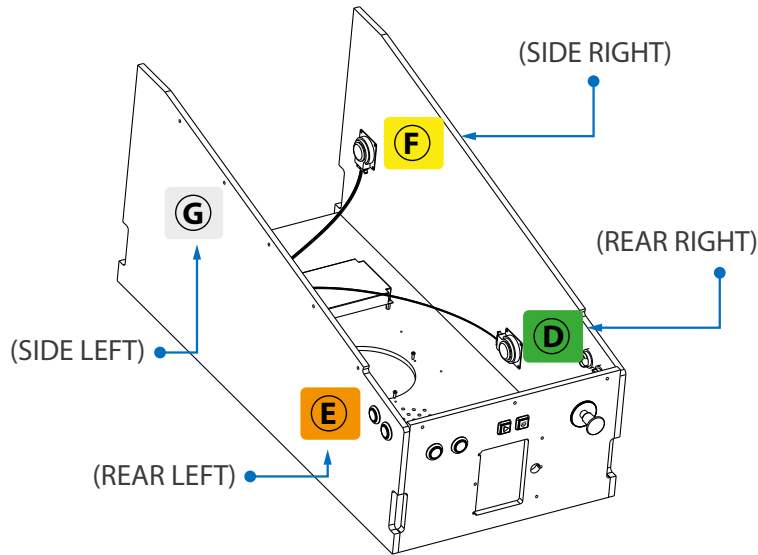
Step 6

C Connect amplifier board (plug 6 pin side of Cable C into 20V) and Power amplifier board (plug 8 pin of Cable C into CN3).

Step 7

B Connect Amplifier board (plug into 24V) and Power amplifier board (plug into CN2) with 8 pin cable.

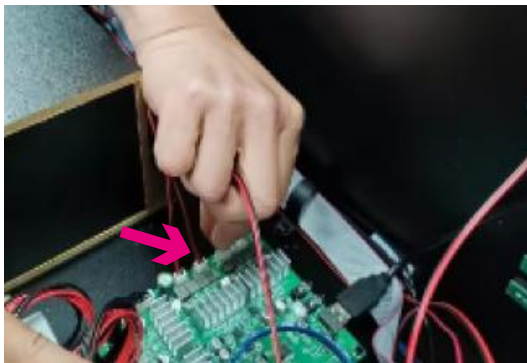




(Exciter sticker location map)

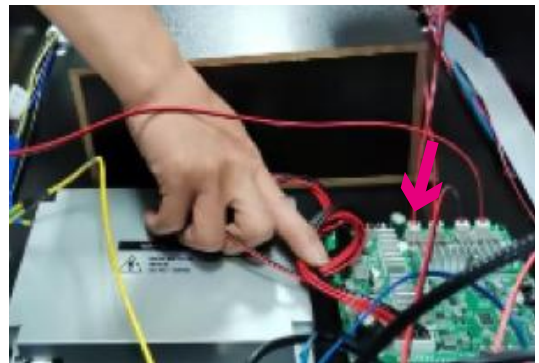
Step 8

D Connect Exciter speaker (REAR RIGHT) connection cable to Amplifier board RSOR.



Step 9

E Connect Exciter speaker (REAR LEFT) connection cable to Amplifier board RSOL.



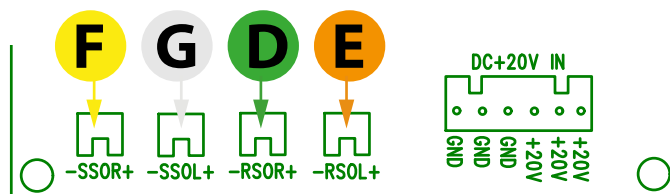
Step 10

F Connect Exciter speaker (SIDE RIGHT) connection cable to Amplifier board SSOR.



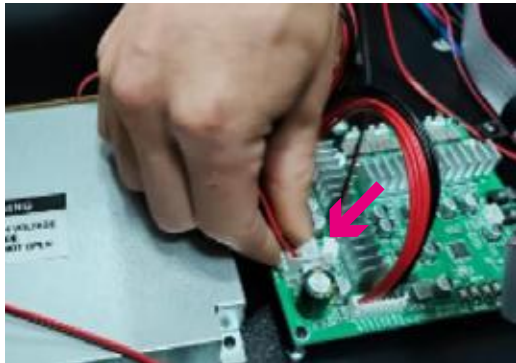
Step 11

G Connect Exciter speaker (SIDE LEFT) connection cable to Amplifier board SSOL.



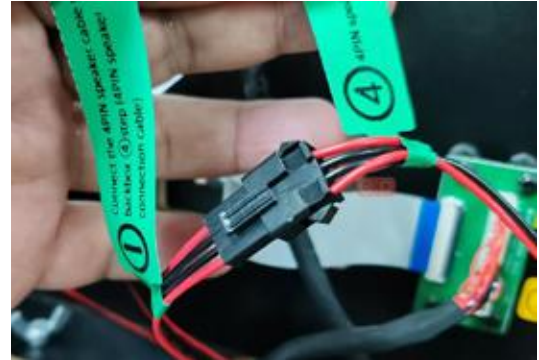
Step 12

- H** Connect 8-inch subwoofer connection cable to Amplifier board BASS.



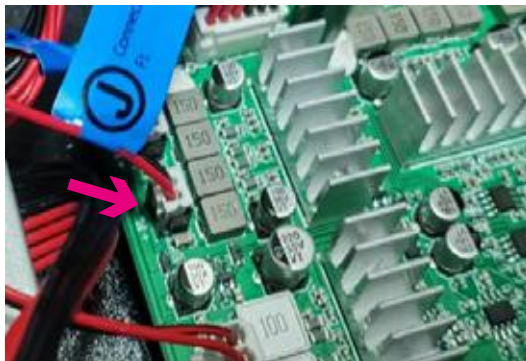
Step 13

- I** The first ④ cable connection need to be disconnected first before the "I" connection can connect to ④ (4 PIN speaker connection cable). Feed ④ into the base as it will no longer be used.



Step 14

- J** Connect cable to the Amplifier board FL.



Step 15

- K** Connect cable to the Amplifier board FR.



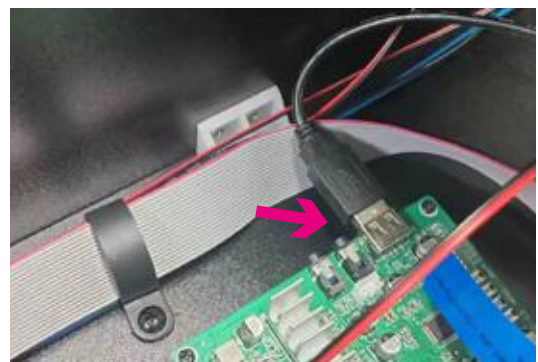
Step 16

- L** Connect the USB data cable to the motherboard (USB3).



Step 17

- M** Connect the USB data cable to the amplifier board (USB2.0).



Step 18



Reconnect 32 inch screen cable as shown below (the white dot mark should remain visible after connecting).



Step 19



Reconnect the 32 Inch screen backlight cable as shown.



Step 20

Repeat Step 1 (1-3 >> 1-2 >> 1-1) in reverse to reassemble the machine. Reinstall the control panel to the front of the machine with the 4 screws. Next, place the left and right side rails back to their original positions by the main display and secure them with the 10 screws. Once both left and right side rails are in place, reattach the front lockdown bar and fasten with the 3 screws.

⚠ WARNING 32 Inch Main Playfield weight: 10.03 lbs.

Safety Notice

- Do not submerge the device in water or expose it to extreme heat or to strong magnetic fields. Doing so may cause permanent damage to your device.
- Always use a dry towel to clean the device.
- Transformers are suitable for indoor use only. Transformers and power supplies for toys are not intended to be used as toys, and the use of these products by children shall be under the full supervision of parents.

FCC Statement

This equipment has been tested and found to comply with the limits for a Class B digital device, pursuant to Part 15 of the FCC Rules. These limits are designed to provide reasonable protection against harmful interference in a residential installation. This equipment generates, uses and can radiate radio frequency energy and, if not installed and used in accordance with the instructions, may cause harmful interference to radio communications. However, there is no guarantee that interference will not occur in a particular installation. If this equipment does cause harmful interference to radio or television reception, which can be determined by turning the equipment off and on, the user is encouraged to try to correct the interference by one or more of the following measures:

- Reorient or relocate the receiving antenna.
- Increase the separation between the equipment and receiver.
- Connect the equipment into an outlet on a circuit different from that to which the receiver is connected.
- Consult the dealer or an experienced radio/TV technician for help.

Changes or modifications not expressly approved by the party responsible for compliance could void the user's authority to operate the equipment.

This device complies with Part 15 of the FCC Rules. Operation is subject to the following two conditions:

- (1) this device may not cause harmful interference, and
- (2) this device must accept any interference received, including interference that may cause undesired operation.

CAN ICES-3 (B)/NMB-3(B)

Warranty Info

The manufacturer warrants this product to be free and clear of defects in the materials and workmanship, under normal residential use and conditions, for a period of ninety (90) days from the original invoice date. Shipping and handling fees are to be paid for by the customer. To make a warranty claim, please submit a service request here: <https://www.atgames.net/arcades/contact>

Standard warranty coverage for the AtGames Legends 4K SSF Kit does not apply to and is considered invalid due to misuse, improper maintenance, self-repair, tampering, or invasive hardware modifications of any kind, and damages or dysfunction caused by shipping or non-manufacturing related causes. Note: Standard warranty services are valid with receipt from an authorized retailer. Purchases through third-party sellers and resellers do not fall under the standard warranty program. For warranty support, please contact the third-party seller or reseller where you purchased the product.



www.atgames.us



www.atgames.net



Please find the most updated product info at www.atgames.us.

For customer service, warranty info, and technical support please find us here:
<https://www.atgames.net/arcades/contact/>



© 2024 AtGames Interactive
www.atgames.net
PO Box 1691, El Segundo, CA 90245
All rights reserved.

*Content and images are for reference only and subject to change.
The trademarks and images are the properties of their respective owners. © 2024 AtGames

Made in China